

RYKOV Libčany, s.r.o.
Libčany 14
50322 Libčany
Czech Republic
T/F +420 495 585 422
rykov@rykov.cz
www.rykov.cz



USER GUIDE – INSTALLATION AND OPERATION INSTRUCTIONS

SNOWBLADE 120-150 (*ATV, UTV MODEL*)



Contents

- 1 Introduction..... 3**
 - 1.1 Basic warnings..... 3
- 2 Safety of operation..... 4**
 - 2.1 Safety regulations..... 4
 - 2.2 Safety pictograms..... 4
- 3 Basic information..... 5**
 - 3.1 Snowblade use..... 5
 - 3.1.1 Technical data..... 5
 - 3.2 Snowblade and parts description..... 5
- 4 Instruction of use..... 6**
 - 4.1 Snowblade assembly..... 6
 - 4.2 Total vehicle payload (ATV/ UTV) 7
 - 4.3 Connecting the snowblade to the ATV/ UTV..... 7
 - 4.4 Putting the snowblade into operation..... 7
 - 4.4.1 Use in slope/hill..... 8
 - 4.5 Work with snowblade..... 8
 - 4.5.1 Height adjustment..... 8
 - 4.5.2 Angle adjustment 8
 - 4.5.3 Work height adjustment..... 9
 - 4.5.4 Snow plowing method..... 9
 - 4.5.4.1 Snow plowing problems..... 9
- 5 Maintenance, care, storage..... 10**
 - 5.1 Snowblade lubrication..... 10
 - 5.2 Lubrication points..... 10
 - 5.3 Service intervals..... 11
 - 5.4 Troubleshooting and solutions..... 11
 - 5.5 Storage..... 11
 - 5.5.1 Washing and cleaning..... 11
 - 5.6 Packing material and snowblade disposal after end of lifetime..... 12
 - 5.7 Production tag..... 12
- 6 List of spare parts..... 13**

1 Introduction

Dear valued customer and user!

Thank you for your trust and purchase of our product.

The snowblade is designated for use with ATV/UTV. Primary use is plowing of snow and impurities from roads, sidewalks, and other applicable areas.

Please carefully read user installation and operation information.

1.1 Basic information

We strongly recommend reading and follow installation and operation instructions for safety of user, other persons, and property.

The safety instructions given in this manual do not describe all possibilities, conditions and situations that may occur in practice. Safety factors such as common sense, caution and diligence are not part of this manual, but are assumed to be used by every person who handles or performs work with this snowblade.

Only mentally and physically healthy persons may work with this snowblade. In the case of professional use of this machine, the owner of the snowblade is obliged to ensure that the operators who will use the machine receive training on work safety and conduct an instruction on how to operate this snowblade and keep records of these trainings. They must also carry out the so-called categorization of works according to the relevant national legislation.



If you do not understand some of the information in the manual, contact your supplier or the snowblade manufacturer directly.

The instructions for use are an integral part of the snowblade. They must be always available, stored in an accessible place where there is no risk of their destruction. When selling the snowblade to another person, the user manuals must be handed over to the new owner.

The manufacturer is not responsible for risks, dangers, accidents, and injuries arising from the operation of the snowblade if the above conditions are not met. The manufacturer is not responsible for damage caused by unauthorized use, improper operation of the snowblade and for damage caused by any modification of the snowblade without the manufacturer's consent.

When working, it is especially necessary to follow the safety regulations to avoid the risk of injury to yourself, other people or causing damage to property.

Any unauthorized modification of the snowblade will void the warranty.

	If you see this symbol in the manual, read the following information carefully!
	This international safety symbol indicates important safety-related information. When you see this symbol, be alert to the possibility of injury to yourself or others and read the following information carefully.

Tab. 1: Symbols








The manufacturer reserves the right to technical changes and innovations that do not affect the function and safety of the snowblade.

These changes may not be reflected in this user guide. Typographical errors reserved.

2 Safety of use

The machine is designed to protect the operator from flying parts as much as possible. Do not remove any passive or active safety feature. This puts you at risk of injury.

2.1 Safety regulations

-  The operator of the snowblade must be over 18 years old. It is necessary to understand the instructions for using the machine and to be aware of the general principles of occupational safety.
-  Every time you use the snowblade, check that any part is not damaged or loose. Detected defects must be removed immediately. A damaged snowblade must not be put into operation. Use only original spare parts for repairs.
-  Before using the snowblade, the working area must be free of large solid objects (such as stones, wires, loose construction debris, etc.) that could be hit or could damage the machine. If they cannot be removed, avoid these places.
-  When working with the snowblade, all other people (especially children) and animals must be outside the working area of the machine. The operator can continue working only after they have been sent to a safe distance.
-  It is forbidden to remove all protective devices and covers from the snowblade.
-  All repairs, adjustments, lubrication, and cleaning of the snowblade must be performed when the machine is stationary and in its secured position.
-  Connect and disconnect the snowblade from the ATV/UTV on a flat, dry and firm surface.

2.2 Safety pictograms

Respect the pictograms located on the machine and their meaning!



PIC. 1: Read the user manual before using the machine.



PIC. 2: Danger of being hit by flying fragments, cuttings, thrown objects, etc. Other people and animals - keep a safe distance from the machine.



PIC. 3: Maximum speed allowed when plowing.

3 Basic Information

3.1 Snowblade use

The snowblade SB 120 – 150 is designed and manufactured according to the latest knowledge in the field ATV/UTV. It stands out for its easy handling and trouble-free maintenance.

The snowblade is mainly intended for plowing snow, but also other loose materials, e.g.: garden soil, sand, gravel, etc. The height and angle of the snowblade can be adjusted (5 positions) using a main lever.

⚠ Use snowblade only for specified purpose. Use for any other unspecified purpose is prohibited!

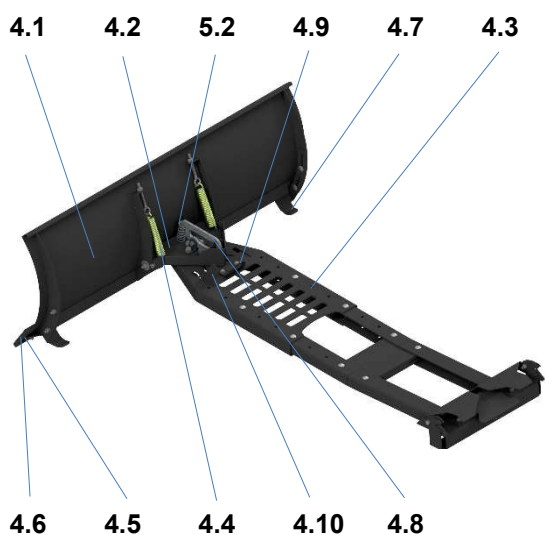
⚠ It is forbidden to remove all protective devices and covers from the snowblade.

3.1.1 Technical data

TYPE	SB 120	SB 130	SB 140	SB 150	Unit
Length (incl. main lever)	1430 - 1730				mm
Width	1200	1300	1400	1500	mm
Height (incl. main lever)	448				mm
Snowblade working width	1200	1300	1400	1500	mm
Weight	50,2	51,4	52,6	53,8	kg

Tab. 2: SB 120 Snowblade technical data

3.2 Snowblade and parts description



PIC. 4: Snowblade description view A

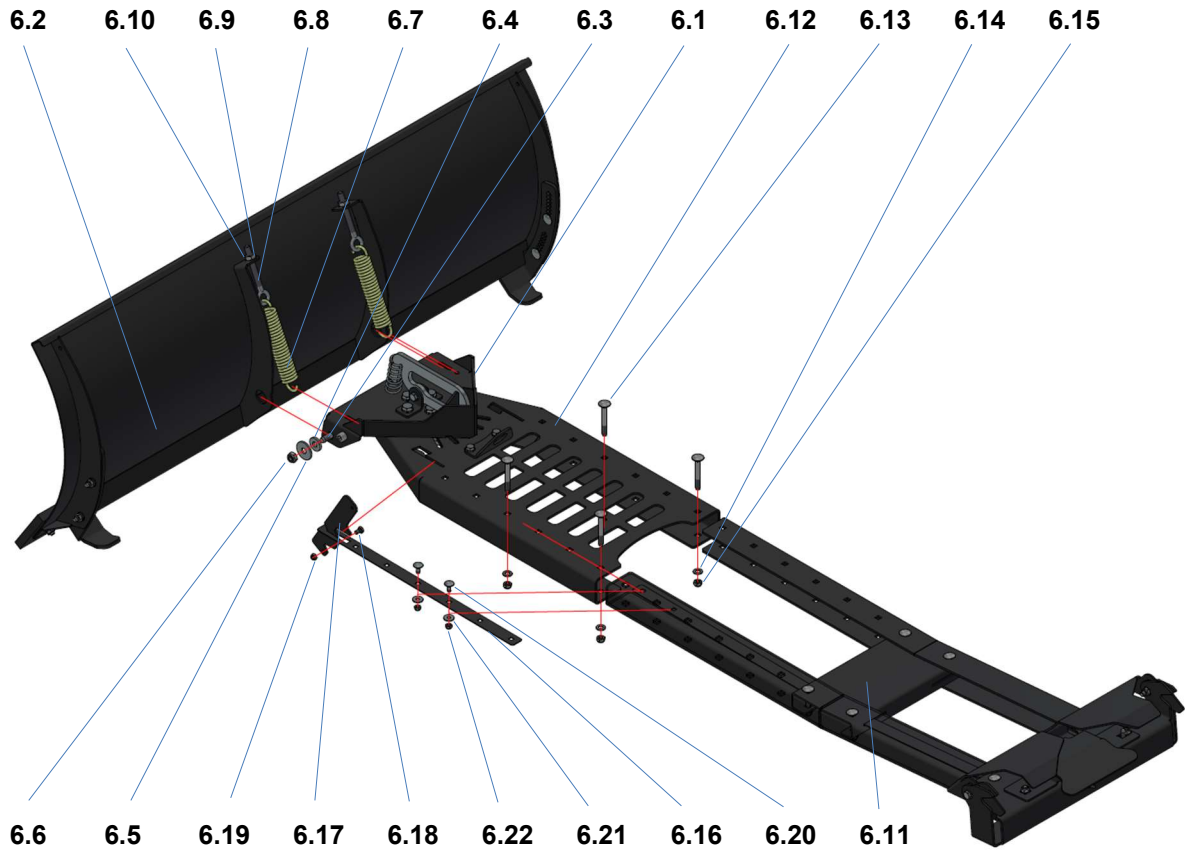


PIC.5: Machine description view B

The main part of the snowblade is the front blade (4.1). Blade is connected via an angle adjustment bracket (4.2) to main frame (4.3). Springs (4.4) return the front blade to the working position in the event of an impact with a fixed obstacle. A rubber wear strip is mounted to the front part (4.5). Steel bar reinforcement (4.6). Adjustment of the working height is possible using the skid shoes (4.7). Main control lever (4.8) for lifting and angle setting. The snowblade is connected to the ATV/UTV by pin (5.1). (4.9) lifting eye is dedicated for snowblade lifting and travel position. A spring (5.2) pulls the control lever into the secured turning position. The lever, rod and spring system (4.10) serves to unlock the mechanism.

4 Instruction of use

4.1 Snowblade assembly




PIC. 6: Snowblade assembly

Assembly procedure:

1. Unpack the components from the box.
2. Put angle adjustment frame (6.1) between blade front reinforcements (6.2). Put COACH BOLT-M10x30 into the square hole in the turning frame (6.3). Use OVERSIZED WASHER 10,5 (6.4) for definition, attach OVERSIZED WASHER 11 (6.5) and tighten LOCKNUT M10 (6.6). Thread into the bottom oval hole EXTENSION SPRING 5x30x120x23 (6.7). Second end of EXTENSION SPRING attach to FORGED EYEBOLT M10x73 (6.8). FORGED EYEBOLT put into top reinforcement hole. Put on the WASHER 10.5 (6.9) and tighten the M10 NUT (6.10) so that the threaded part of the forged eye is approx. 15 mm from the upper return bend. Repeat the entire procedure on the other side.
3. Connection part of main frame (6.11) slide in supporting part of main frame (6.12). The total length of main frame set and adjust in safe position against front part of ATV/UTV. After connecting the blade to the adapter that is mounted on the ATV or UTV, the condition of collision-free rotation of the blade must be met. This means that when the blade is turned at maximum angle position, it must not come into contact with, for example, the front wheels etc. Assemble and connect the frames using four COACH BOLTS-M8x65 (6.13), WASHERS 8.4 (6.14) and LOCK NUTS M8 (6.15).
4. Insert the pull control bar (6.16) into the main support frame. Insert the control lever (6.17) into the opening and secure it with the M6x10 SCREW (6.18) and the M6 LOCK NUT (6.19). Connect the pull control bar using two COACH BOLTS M6x16 (6.20), OVERSIZE WASHERS 6.4 (6.21) and LOCK NUTS M6 (6.22). After tightening the screw connections, the pull control bar must be connected and overlapping one on top of the other.

4.2 Total ATV/UTV payload

 **The ATV/UTV payload cannot be exceeded after snowblade connection.**

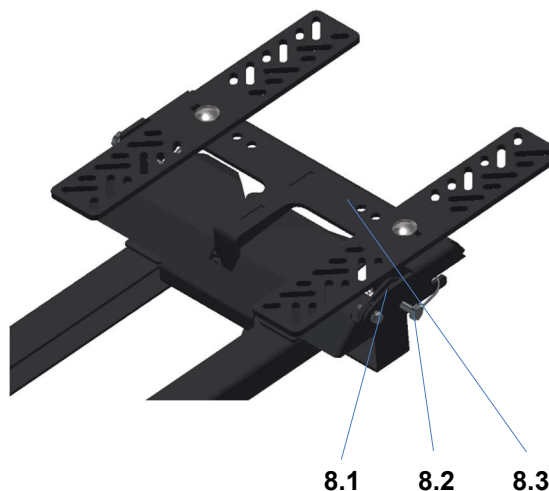
Considering the operating weight of the ATV/UTV + the weight of the blade + the weight of the operator is strongly advised.

 **The stability of the ATV/UTV changes when the snowblade is attached.**

4.3 Attaching the snowblade to the ATV/UTV



PIC. 7: Front part of main frame



PIC. 8: Rear part of main frame

Snowblade connection to ATV/UTV:

1. Slide the snowblade under ATV/UTV the way that adapter snap on jaws (8.1) will be located under adapter pins (8.2). Now put the hook in one of the cross holes (7.1), you will use this hole every time you will connect the snowblade to ATV/AUT.
2. Lift the snowblade using the winch the bottom edge of snowblade (7.2) must be approx. 20cm above the ground. Grab the snowblade from front (7.3) and using the swing move push and clip the snowblade frame in adapter (8.3). Control lever (7.4) should be in back position. If all done correct the side-by-side movement of snowblade should be less than 10cm. **Lower the snowblade to the ground and reconnect the winch hook in hook lifting eye (7.5)!**
3. Disconnection of the blade from the machine when lowered to the ground. Pull the control lever (7.4) towards front. Push the snowblade back from machine. Release the winch hook from snowblade lifting eye (7.5). Now the snowblade is disconnected.

4.4 Putting the snowblade into operation

1. Connect the snowblade to the ATV or UTV.
2. Using the winch lift the snowblade in proper position against ground.

 **Check that all persons, animals, children are at a safe distance from the device! If not, do not proceed with this activity!**

4.4.1 Use in slope/hill



Do not perform the work with snowblade in steeper slopes and terrain.

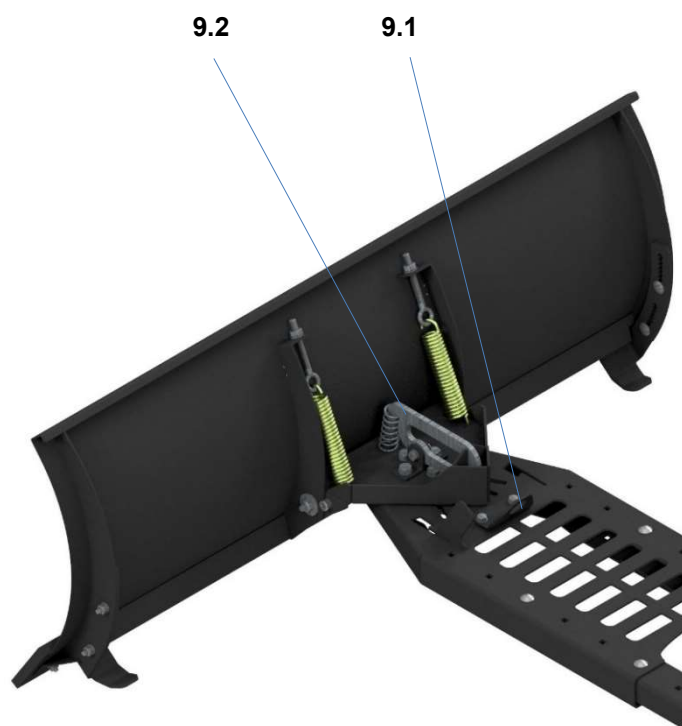


The safe slope accessibility of the ATV/UTV is 12°. Cleaning steeper slopes is at your responsibility.

4.5 Work with snowblade

4.5.1 Height adjustment

Winch hook must be connected to the snowblade hook lifting eye (9.1).



a) Snowblade lifting

Use ATV/UTV winch for snowblade lifting and lowering. The maximum snowblade height position IS NOT secured by STOP switch. DO NOT lift the snowblade to the maximum height when snowblade frame collide/touches the ATV/UTV frame.

b) Snowblade lowering

Use ATV/UTV winch for snowblade lowering. When snowblade lowered to the ground position leave the winch rope bit lose so that the snowblade follows the surface of the terrain.

PIC. 9: Height adjustment

4.5.2 Snowblade work angle settings

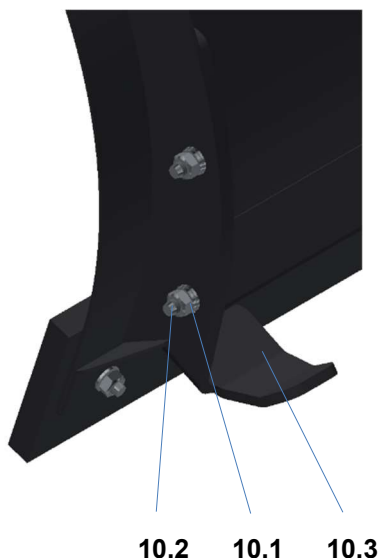
Lift the snowblade using the winch. Pull the control lever (9.2) upwards:

- Setting the right angle – push back the snowblade right side towards back.
- Setting the left angle – push back the snowblade left side towards back.

The snowblade have two left positions, center position and two right positions.

4.5.3 Work height adjustment – skid shoes setting

 Lower the snowblade to the flat surface during work and skid shoes height adjustment.




Procedure:

1. Use wrench size 13 mm, loosen the nuts (10.1) and remove screws (10.2).
2. Set skid shoes (10.3) – must sit on the ground.
3. Insert screw back and tighten the nuts.
4. Do the check – both skid shoes must be set to same level.


PIC. 10: Skid shoe setting

4.5.4 Snow plowing method

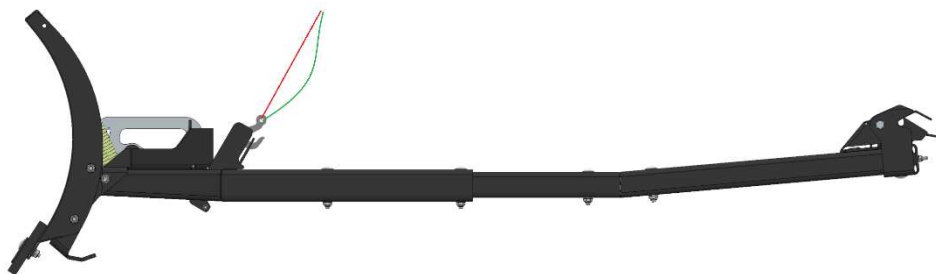
 Before using the snowblade, the terrain must be free of solid objects that could damage the snowblade. If they cannot be removed, avoid these places.

Lower the snowblade to the terrain and then drive towards the snow or other bulk material you want to clear. Snow/material is collected in the direction of travel forward or to the sides depending on the of the snowblade angle setting.

4.5.4.1 Snow plowing problems

 Be careful when cleaning the area around the rubber wear strip. It can be sharp. Protect your hands with work gloves when cleaning.

 Do the check with the snowblade sitting on the ground. Or in the upper position, where it must be padded to prevent accidental unlocking of the locking mechanism.



PIC. 11: Winch rope hangig loose

Always leave winch rope hanging bit loose, ref. to PIC. 11, to achieve good result when plowing the snow with snowblade.

5 Maintenance, care, storage

 **During the maintenance lift the snowblade using the control lever in upper position.**


To ensure long-term satisfaction with our product, it is necessary to do proper maintenance and care. Regular maintenance of this machine will prevent its rapid wear and tear and ensure the proper functioning of all its parts.

Follow all instructions regarding machine maintenance and check intervals.

 **Before each use of the machine, check the tightness of the screw and nut connections.**

5.1 Snowblade lubrication

 **When working with lubricants, observe the basic rules of hygiene and comply with regulations and laws of environmental protection.**

 **If you are not sufficiently skilled manually – find professional service.**

Before first use, lubricate all moving parts with petroleum jelly or machine oil. We recommend additional lubrication as needed depending on the frequency of use.

To ensure smooth and easy movement of all mechanical parts, sufficient attention must be paid to lubrication. Usually a few drops of oil (e.g., bicycle oil).

5.2 Rubber wear strip change

In case the rubber wear strip is worn or damaged – replace it or turn upside down.

In case of any unprofessional repair without the use of original spare parts, the manufacturer is not liable for damage caused by the snowblade or to the snowblade.

The snowblade is equipped with two height-adjustable skid shoes that prevent wear of the snowblade rubber wear strip. Rubber wear strip can be turned upside down and use second edge if the first edge is worn. Spare rubber wear strip can be ordered as well as other spare parts at any time.

 **The machine must stand on a solid surface and must be secured in STOP position to allow good access to the blade.**

 **The snowblade must be secured in the lifted position and supported to prevent accidental disengagement of the securing mechanism.**

Procedure:

1. Use wrench size 13 mm, loosen the rubber wear strip screws and nuts.
2. Remove screw, washers, nuts, and reinforcement steel bar.
3. Replace or turn upside down the rubber wear strip.
4. Reinsert the locking bar, screws, washers, and tighten the nuts in the correct order.

5.3 Service intervals

Operation	Before work	During season	Before storage
Washing	-	2x	Yes
Cleaning	-	After season	Yes
Rubber wear strip check	Yes	Exchange immediate if damaged	Yes
Bolted joints check	Yes	Every 5 hours	Yes

Tab. 3: Service intervals

5.4 Troubleshooting and solutions

Troubleshooting	Cause	Solution
Unable lift the snowblade	Winch rope is not connected to the lifting eye	Connect the winch rope.
	Other troubleshooting.	Contact seller.
Unable set the snowblade angle	Incorect control lever set.	Set the control lever to maximum end position and set the blade angle.
	Mechanism doesn't work properly.	Check, clean and remove dirt.
	Other troubleshooting.	Contact seller.
Other troubleshooting.		Contact seller.

Tab. 4: Troubleshooting and solutions

5.5 Storage


Before after season storage (e.g., after the season), clean the snowblade of all dirt. Prevent unauthorized persons from accessing the snowblade. Protect the machine from the elements, but do not use airtight cover due to the possibility of increased corrosion underneath.

 **Check the condition of the rubber wear strip (if damaged, arrange replacement immediately)**

Recommendations:

1. Remove all dirt from snowblade.
2. Repair surface finish at damaged points.

5.5.1 Washing and cleaning

 **When cleaning and washing the machine, proceed in such a way as to comply with the applicable regulations and laws on the protection of water courses and other water sources from their pollution or contamination by chemical substances.**

5.6 Packing material and snowblade disposal after the end of lifetime

After unpacking the snowblade, you are obliged to dispose the packaging in accordance with national laws and regulations of waste management.

When disposing the snowblade at the end of useful lifetime, we recommend the following procedure:

1. Remove all parts from the snowblade that can still be used,
2. Disassemble plastic and non-ferrous metal parts.
3. Dispose the rest of dismantled snowblade and dismantled parts in accordance with national waste management laws and ordinances.

5.7 Production tag

Production tag placed on product.



PIC. 12: Production tag

6 List of spare parts



PIC. 13: Parts scheme

POS.	PART NUMBER	PART NAME	NORM	QTY
1	SB01-00-000	SNOWBLADE 01 (width 120 cm)		1
	SB03-00-000	SNOWBLADE 03 (width 130 cm)		1
	SB04-00-000	SNOWBLADE 04 (width 140 cm)		1
	SB05-00-000	SNOWBLADE 05 (width 150 cm)		1
2	RP03-00-000	ROTATION POINT 03		1
3	CF02-00-000	CONNECTION FRAME 02		1
4	CP03-00-000	CONNECTION PLATE 03		1
5	LE01-00-000	LIFTING EYE		1

Tab. 5: Parts list



PIC. 14: Parts scheme 1

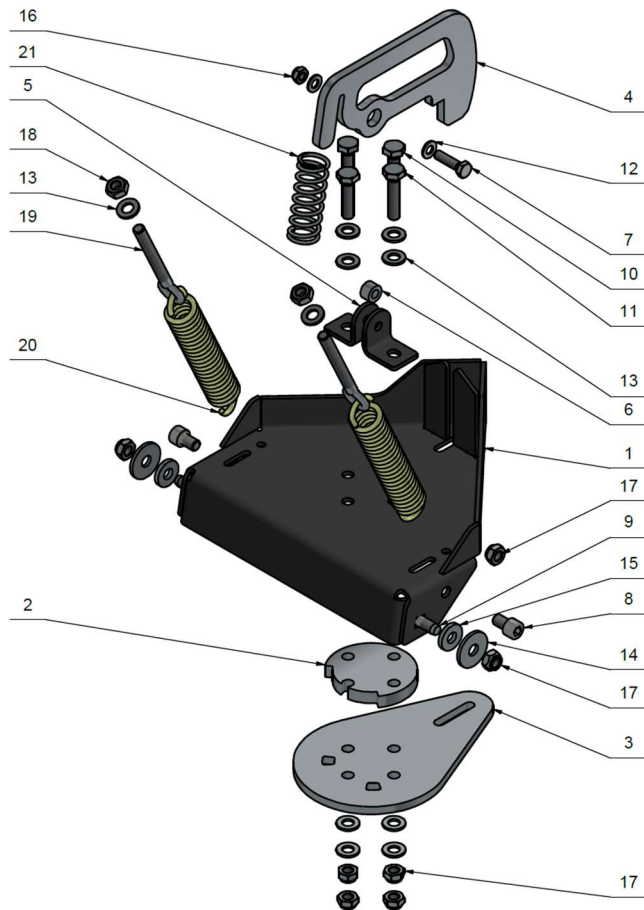
SNOWBLADE WIDTH 120 CM				
POS.	PART NUMBER	PART NAME	NORM	QTY
1	SB01-10-000	FRONT ASSEMBLY		1
2	SB01-00-002	SLIDING LEG LEFT	CNC CUT	1
3	SB01-00-003	SLIDING LEG RIGHT	CNC CUT	1
4	SB01-00-004	BLADE ATTACHMENT	CNC CUT	1
5	SB01-00-005	RUBBER BLADE	RUBBER 1200x100x15	1
6	PRDIN603080	COACH BOLT M8x25	DIN 603	4
7	71085	COACH BOLT – M8 x 35	DIN 603	6
8	PRDIN125520	WASHER A8,4	DIN 125	10
9	PRDIN127420	SPRING WASHER A8	DIN 127	4
10	PRDIN934230	NUT M8	DIN 934	10

SNOWBLADE WIDTH 130 CM				
POS.	PART NUMBER	PART NAME	NORM	QTY
1	SB03-10-000	FRONT ASSEMBLY		1
2	SB01-00-002	SLIDING LEG LEFT	CNC CUT	1
3	SB01-00-003	SLIDING LEG RIGHT	CNC CUT	1
4	SB03-00-001	BLADE ATTACHMENT	CNC CUT	1
5	SB03-00-002	RUBBER BLADE	RUBBER 1300x100x15	1
6	PRDIN603080	COACH BOLT M8x25	DIN 603	4
7	71085	COACH BOLT – M8 x 35	DIN 603	6
8	PRDIN125520	WASHER A8,4	DIN 125	10
9	PRDIN127420	SPRING WASHER A8	DIN 127	4
10	PRDIN934230	NUT M8	DIN 934	10

SNOWBLADE WIDTH 140 CM				
POS.	PART NUMBER	PART NAME	NORM	QTY
1	SB04-10-000	FRONT ASSEMBLY		1
2	SB01-00-002	SLIDING LEG LEFT	CNC CUT	1
3	SB01-00-003	SLIDING LEG RIGHT	CNC CUT	1
4	SB04-00-001	BLADE ATTACHMENT	CNC CUT	1
5	SB04-00-002	RUBBER BLADE	RUBBER 1400x100x15	1
6	PRDIN603080	COACH BOLT M8x25	DIN 603	4
7	71085	COACH BOLT – M8 x 35	DIN 603	7
8	PRDIN125520	WASHER A8,4	DIN 125	11
9	PRDIN127420	SPRING WASHER A8	DIN 127	4
10	PRDIN934230	NUT M8	DIN 934	11

SNOWBLADE WIDTH 150 CM				
POS.	PART NUMBER	PART NAME	NORM	QTY
1	SB05-10-000	FRONT ASSEMBLY		1
2	SB01-00-002	SLIDING LEG LEFT	CNC CUT	1
3	SB01-00-003	SLIDING LEG RIGHT	CNC CUT	1
4	SB05-00-001	BLADE ATTACHMENT	CNC CUT	1
5	SB05-00-002	RUBBER BLADE	RUBBER 1500x100x15	1
6	PRDIN603080	COACH BOLT M8x25	DIN 603	4
7	71085	COACH BOLT – M8 x 35	DIN 603	8
8	PRDIN125520	WASHER A8,4	DIN 125	12
9	PRDIN127420	SPRING WASHER A8	DIN 127	4
10	PRDIN934230	NUT M8	DIN 934	12

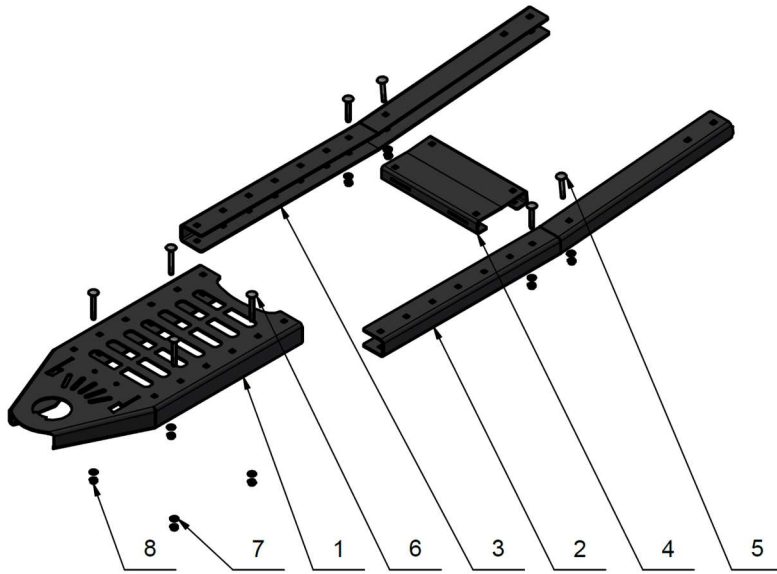
Tab. 6: Parts list 1



PIC. 15: Parts scheme 2

POS.	PART NUMBER	PART NAME	NORM	QTY
1	RP03-10-000	ROTATION FRAME		1
2	RP03-00-001	MIDDLE PLATE	CNC CUT	1
3	RP03-00-002	LOCKING KEY	CNC CUT	1
4	RP03-00-003	ROTATION STOP	CNC CUT	1
5	RP03-00-004	GUIDE PLATE	CNC CUT	2
6	RP03-00-005	DISTANCE RING	CNC CUT	1
7	PRDIN933143	SCREW M8x30	DIN 933	1
8	71109	SCREW M10x16	DIN 912	2
9	04001326	COACH BOLT – M10x30 8.8	DIN 603	2
10	71140	SCREW M8x40	DIN 933	2
11	04001840	SCREW M10x45	DIN 933	2
12	PRDIN125520	WASHER A8,4	DIN 125	2
13	PRDIN125535	WASHER A10,5	DIN 125	10
14	73107	WASHER 11	DIN 440R	2
15	73601	OVERSIZED WASHER	DIN 7349 - 10,5	2
16	PRDIN985231	LOCKNUT M8	DIN 985	1
17	PRDIN985241	LOCKNUT M10	DIN 985	8
18	PRDIN934240	NUT M10	DIN 934	2
19	71112	FORGED EYEBOLT M10x68		2
20	80402	EXTENSION SPRING	5x30x120x23	2
21	80423	COMPRESSION SPRING	28x3,15x75	1

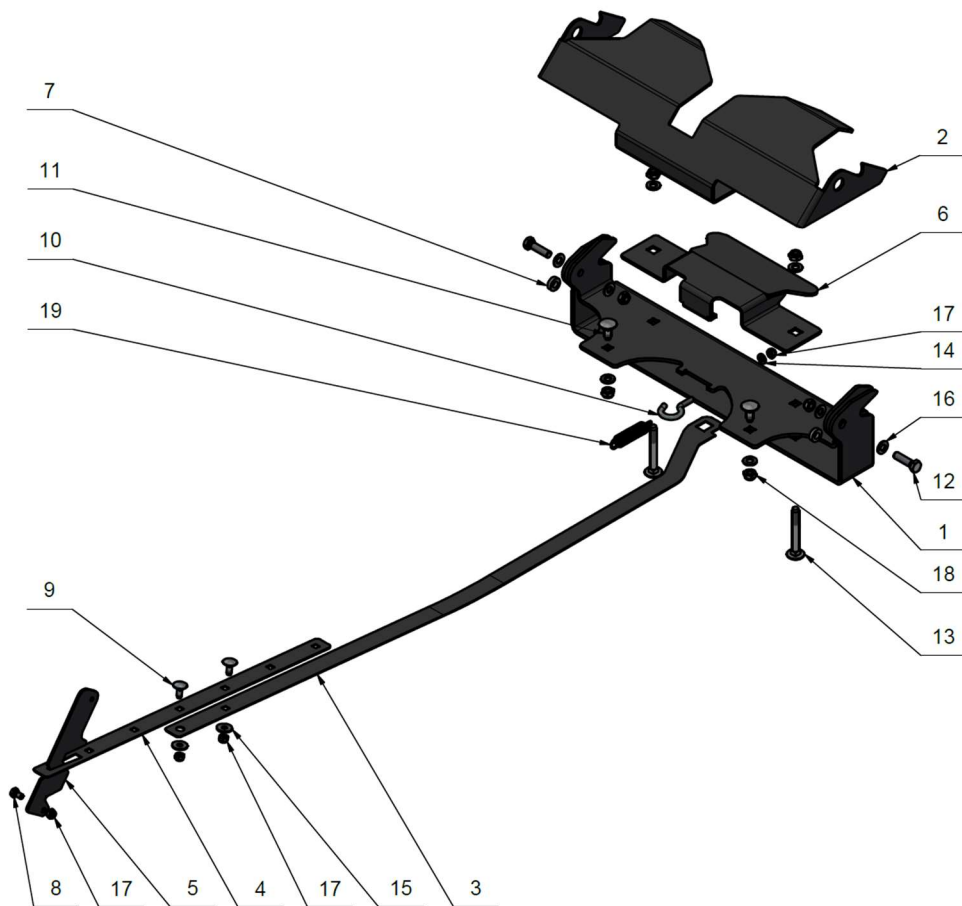
Tab. 7: Parts list 2



PIC. 16: Parts scheme 3

POS.	PART NUMBER	PART NAME	NORM	QTY
1	CF02-10-000	A-PART		1
2	CF02-00-002	TELESCOPIC FRAME LEFT	CNC CUT	1
3	CF02-00-003	TELESCOPIC FRAME RIGHT	CNC CUT	1
4	CF02-00-004	MIDDLE REINFORCEMENT	CNC CUT	1
5	73278	COACH BOLT M8x55	DIN 603	4
6	71104	COACH BOLT M8x65	DIN 603	4
7	PRDIN125520	WASHER A8,4	DIN 125	8
8	PRDIN985231	LOCKNUT M8	DIN 985	8

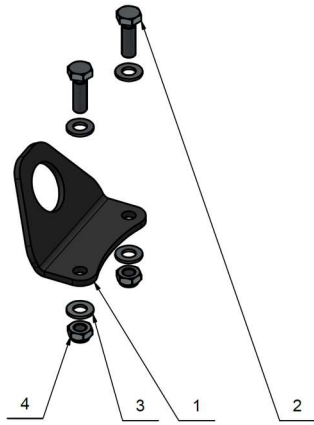
Tab. 9: Parts list 3



PIC. 17: Parts scheme 4

POS.	PART NUMBER	PART NAME	NORM	QTY
1	CP03-00-001	CONNECTION PLATE	CNC CUT	1
2	CP03-00-002	LOCKING PLATE	CNC CUT	1
3	CP03-00-003	REAR ROD	CNC CUT	1
4	CP03-00-004	FRONT ROD	CNC CUT	1
5	CP03-00-005	ROD LEVER	CNC CUT	1
6	CP03-00-006	GUIDE PLATE	CNC CUT	1
7	CP03-00-007	BOUNDARY RING	CNC CUT	2
8	71073	SCREW M6x10	DIN 933	1
9	72297	COACH BOLT M6x16	DIN 603	2
10	73345	THREADED HOOK 6x50		1
11	04000539	COACH BOLT M8x20	DIN 603	2
12	71083	SCREW M8x30	DIN 933	2
13	71104	COACH BOLT M8x65	DIN 603	2
14	PRDIN125510	WASHER A6,4	DIN 125	1
15	04000235	OVERSIZE WASHER 6,4	DIN 9021	2
16	PRDIN125520	WASHER A8,4	DIN 125	8
17	PRDIN985221	LOCKNUT M6	DIN 985	4
18	PRDIN985231	LOCKNUT M8	DIN 985	6
19	80417	EXTENSION SPRING	14x2x62	1

Tab. 10: Parts list 4



PIC. 18: Parts scheme 5

POS.	PART NUMBER	PART NAME	NORM	QTY
1	LE01-00-001	LIFTING EYE	CNC CUT	1
2	71083	SCREW M8x30	DIN 933	2
3	PRDIN125520	WASHER A8,4	DIN 125	4
4	PRDIN985231	LOCKNUT M8	DIN 985	2

Tab. 11: Parts list 5

ES PROHLÁŠENÍ O SHODĚ (originál)

EC declaration of conformity (the original)

Výrobce / Manufacturer:	RYKOV Libčany, s.r.o.
Adresa / Address:	Libčany 14, 50322 Libčany, ČR
IČ / ID:	27502805
Jméno a adresa osoby pověřené sestavením technické dokumentace (podle 2006/42/ES, NV č. 176/2008 Sb.) / Name and address of the person authorised to compile the technical file (according to 2006/42/EC):	RYKOV Libčany, s.r.o., Libčany 14, 50322 Libčany, ČR
Výrobek (stroj) – typ / Product (Machine) – Type:	Shrnovací radlice typ SR
Výrobní číslo / Serial number:	001/SB-120-02-02
Popis / Description:	Shrnovací radlice je určena ke shrnování sněhu, nebo sypkých hmot na zpevněném povrchu Šířka záběru: 1200 – 1500 mm. Rozměry: (1200x550x300) mm. Hmotnost: 50,2 kg.
Prohlašujeme, že strojní zařízení splňuje všechna příslušná ustanovení uvedených směrnic (NV) / We declare that the machinery fulfils all the relevant provisions of the mentioned Directives (Government Provisions):	Strojní zařízení – směrnice 2006/42/ES, NV č. 176/2008 Sb. / the Machinery Directive 2006/42/EC,
Harmonizované technické normy a technické normy použité k posouzení shody / The harmonized technical standards and the technical standards applied to the conformity assessment:	ČSN EN ISO 12100-2:2004, ČSN EN 953+A1:2009, ČSN EN 55014-2:1997 ČSN EN ISO 3746:2010

Poznámka: Veškeré předpisy byly použity ve znění jejich změn a doplňků platných v době vydání tohoto prohlášení bez jejich citování. /
Note: All regulations were applied in wording of later amendments and modifications valid at the time of this declaration issue without any citation of them.


Místo a datum vydání / Libčany 1.8.2022
Place and date of issue:

Osoba zmocněná k podpisu za výrobce /
Signed by the person entitled to deal in the name of producer:

Jméno / Jan Rychtera
Name:

Funkce / jednatel
Grade:

Podpis /
Signature:


RYKOV RYKOV Libčany, s.r.o.
503 22 Libčany 14
tel./fax: 00420 495 585 477, tel./00420 495 585 422
IČO: 27502805, DIČ: CZ27502805
www.rykov.cz, e-mail: rykov@rykov.cz